

# TWO-TRANSISTOR RADIO KIT

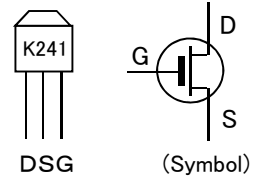
- Ⓒ This radio circuit uses only 2 transistors, 2SK241 (FET) and 2SC1815.
- Ⓒ This simple AM receiver is designed to increase the sensitivity and the selectivity by using FET.

## << List of Parts >> Confirm Parts first !

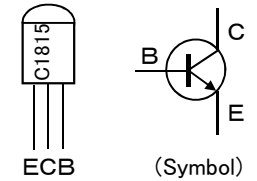
Part Name	Quantity	Remarks
2SK241Y	1	FET (Field Effect Transistor)
2SC1815GR	1	Transistor
1N60	1	Germanium Diode
1kΩ	1	Resistor Color Codes (Brown,Black,Red,Gold)
100kΩ	2	Resistor Color Codes (Brown,Black,Yellow,Gold)
0.01μF	1	Ceramic Capacitor (103)
10μF	2	Aluminum Electrolytic Capacitors
3.9mH	1	Radial Leaded Inductor (392)
330μH	1	Leaded Inductor (Orange,Orange,Brown)
Variable Capacitor	1	Tuning Capacitor with Dial
Ceramic Earphone	1	Equivalent to a Crystal Earphone
Crocodile Clip	1	For antenna connection
PVC insulated wire	1	1m
Battery holder	1	For 2AA battery
Lug terminal	1	5P
Round hole Spacer	2	For Lug terminal

※Please note that Leaded Inductor (green) used for the antenna coil looks like a resistor.

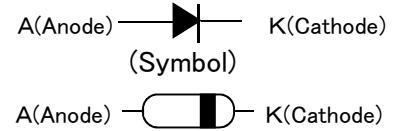
### FET(2SK241)



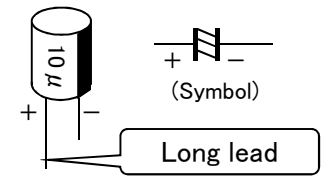
### Transistor (2SC1815)



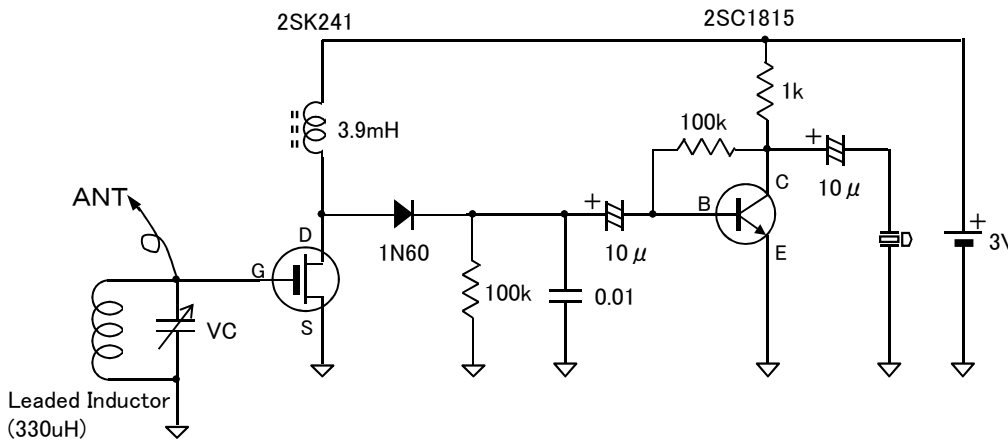
### Germanium diode



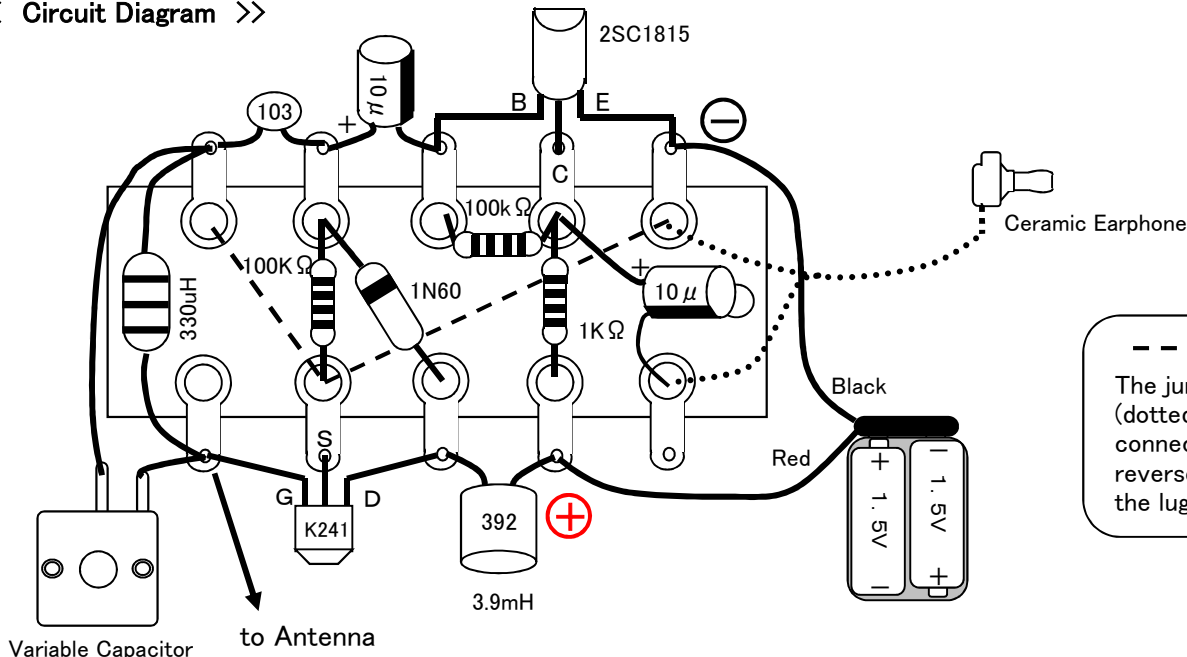
### Aluminum Electrolytic Capacitor



## << Schematic of a Transistor radio >>



## << Circuit Diagram >>



-----  
The jumper wires (dotted line) are connected on the reverse side of the lug terminal.